

brand	MC CULLOCH-PARTNER -RANCHERO
-------	-------------------------------------

date	NOV/02	SHEET 1/6
------	--------	-----------

Model	Prefix
MAC 539E 14" - 16" - 18"	01
MAC 539E 14"+BAG - 542E 16"+BAG	01
MAC 542E 16" INTZ - 542E 18" INTZ	02
MAC 545E 18" INTZ	01
CALIFORNIA 42CC ASSY - 42CC+BAG	02
P542E 16" - P542E 16" + BAG	02
PL 546 18" 6307.290	01

Product number
953900361 - 953900362 - 953900406
953900401 - 953900402
953900363 - 953900364
953900225
953900367 - 953900403
953900376 - 953900377
953900273

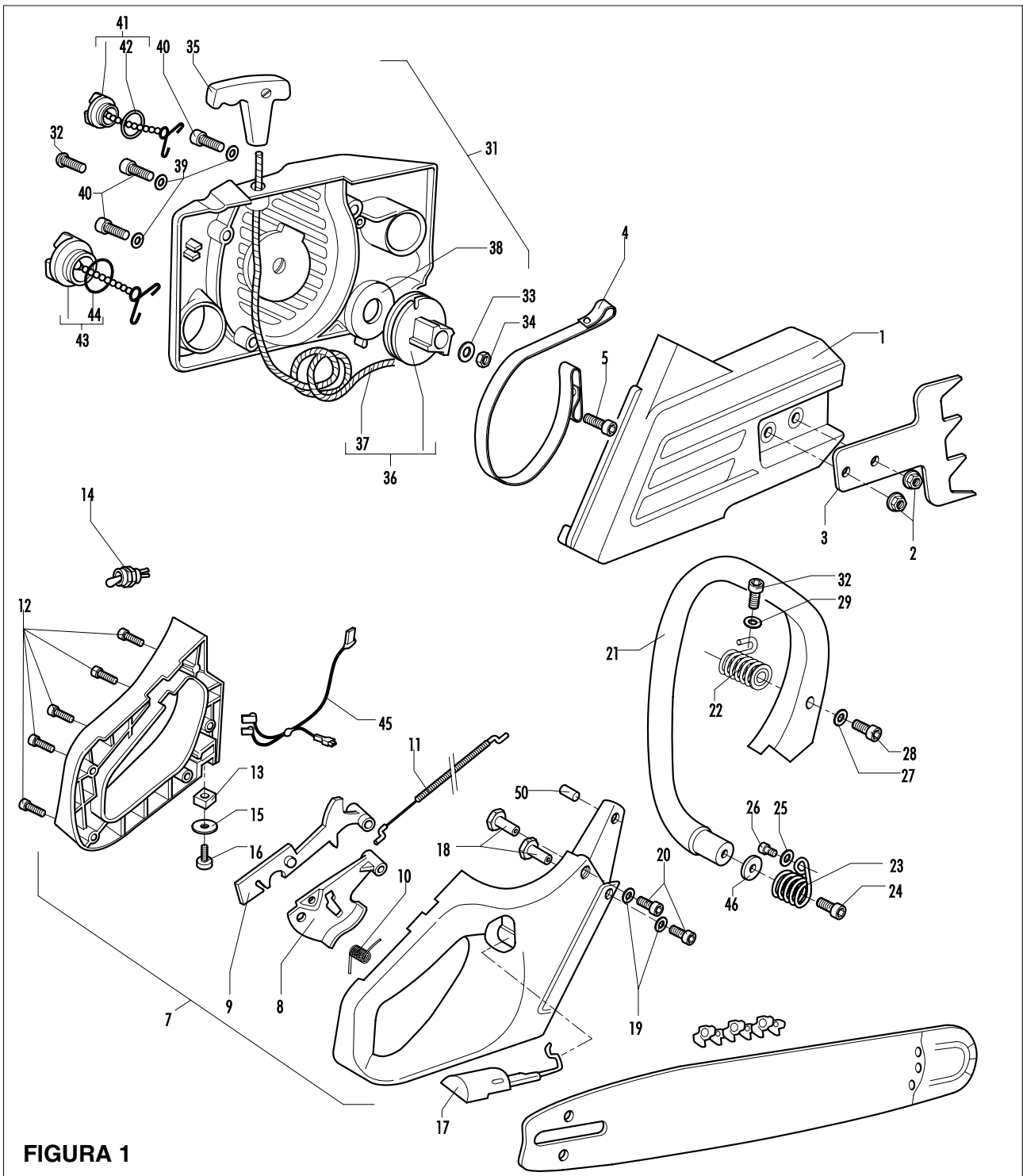


FIGURA 1

brand	MC CULLOCH-PARTNER -RANCHERO
-------	-------------------------------------

date	NOV/02	SHEET 2/6
------	--------	-----------

Model	Prefix
MAC 539E 14" - 16"- 18"	01
MAC 539E 14"+BAG - 542E 16"+BAG	01
MAC 542E 16" INTZ - 542E 18" INTZ	02
MAC 545E 18" INTZ	01
CALIFORNIA 42CC ASSY - 42CC+BAG	02
P542E 16" - P542E 16" + BAG	02
PL 546 18" 6307.290	01

Product number
953900361 - 953900362 - 953900406
953900401 - 953900402
953900363 - 953900364
953900225
953900367 - 953900403
953900376 - 953900377
953900273

FIGURA 1

	pos	P/N McC	P/N ELX	Qty	DESCRIPTION		pos	P/N McC	P/N ELX	Qty	DESCRIPTION
C	1	248438	538248438	1	KIT CLUTCH COVER 538E	A	37	235042	538235042	1	ROPE
A	2	242501	538242501	2	M6 / cm13	B	38	235040	538235040	1	SPRING
C	3	241993	538241993	1	SPIKE		39	235248	538235248	3	WASHER M5
B	4	235073	538235073	1	BAND BRAKE		40	236997	538236997	3	M5X30 SCREW
	5	235812	538235812	1	SPECIAL BRAKE SCREW	B	41	240866	538240866	1	OIL CAP ASSY
C	7	240339	538240339	1	REAR HANDLE ASSY	C	42	235511	538235511	1	O-RING OIL CAP
C	8	240301	538240301	1	GAS LEVER	B	43	240865	538240865	1	FUEL CAP ASSY
C	9	240302	538240302	1	SAFETY TRIGGER	C	44	235510	538235510	1	O-RING MIX CAP
	10	240303	538240303	1	MOLLA LEVA GAS	C	45	240370	538240370	1	CABLE ASSY
C	11	240367	538240367	1	WIRE ASSY		46	236934	538236934	1	WASHER
	12	240862	538240862	5	SCREW 4X18		50	240323	538240323	1	SPACER
	13	229524	538229524	1	NUT M5						
C	14	240859	538240859	1	SWITCH ON_OFF						
	15	227259	538227259	1	WASHER						
	16	240845	538240845	1	SCREW						
C	17	247259	538247259	1	ROD CHOK ASSY						
	18	240315	538240315	2	NUT						
	19	235248	538235248	2	WASHER M5						
	20	235802	538235802	2	SCREW M5 X 14 TCE						
	21	240281	538240281	1	FRONT HANDLE						
B	22	241231	538241231	1	UPPER AV SPRING ASSY						
B	22	240289	538240289	1	SPRING						
B	23	240285	538240285	1	SPRING						
	24	240354	538240354	1	SCREW 6X30						
	25	235248	538235248	1	WASHER M5						
	26	235802	538235802	1	SCREW M5 X 14 TCE						
	27	235248	538235248	1	WASHER M5						
	28	235803	538235803	1	SCREW M5 X 25 TCE						
	29	227259	538227259	1	WASHER						
	30	235802	538235802	1	SCREW M5 X 14 TCE						
C	31	241854	538241854	1	STARTER ASSY						
	32	240316	538240316	1	SCREW M5X35						
	33	240921	538240921	1	WASHER						
	34	229208	538229208	1	NUT M5						
	35	240884	538240884	1	STARTER-HANDLE						
B	36	235372	538235372	1	DRUM AND ROPE						

A= ALTA ROTAZIONE
 B=MEDIA ROTAZIONE
 C=BASSA ROTAZIONE

A=HIGH MOVING
 B=MEDIUM MOVING
 C=SLOW MOVING

A=HAUTE DEMANDE
 B=MOYENNE DEMANDE
 C=BASSE DEMANDE

A=GROBE NACHFRAGE
 B=MITTELMAEßIGE
 C=WENIGE NACHFRAGE

brand	MC CULLOCH-PARTNER -RANCHERO
-------	------------------------------

date	NOV/02	SHEET 3/6
------	--------	-----------

Model	Prefix
MAC 539E 14" - 16" - 18"	01
MAC 539E 14"+BAG - 542E 16"+BAG	01
MAC 542E 16" INTZ - 542E 18" INTZ	02
MAC 545E 18" INTZ	01
CALIFORNIA 42CC ASSY - 42CC+BAG	02
P542E 16" - P542E 16" + BAG	02
PL 546 18" 6307.290	01

Product number
953900361 - 953900362 - 953900406
953900401 - 953900402
953900363 - 953900364
953900225
953900367 - 953900403
953900376 - 953900377
953900273

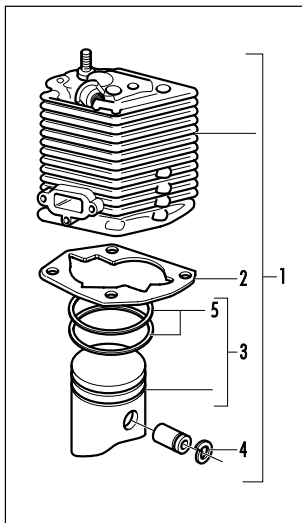


FIGURE 3

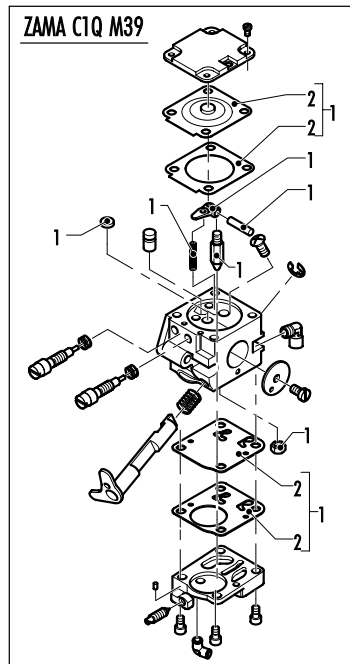


FIGURE 4

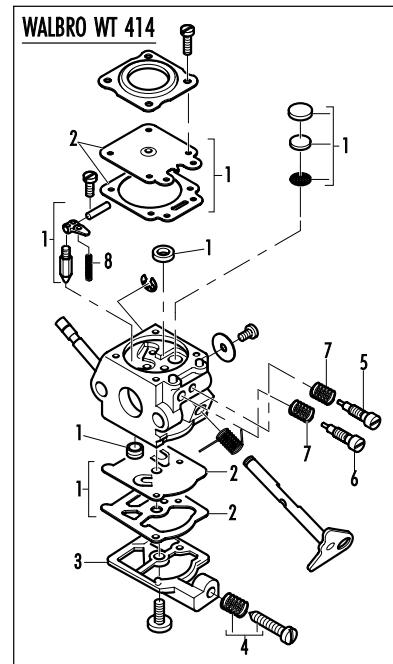


FIGURE 4

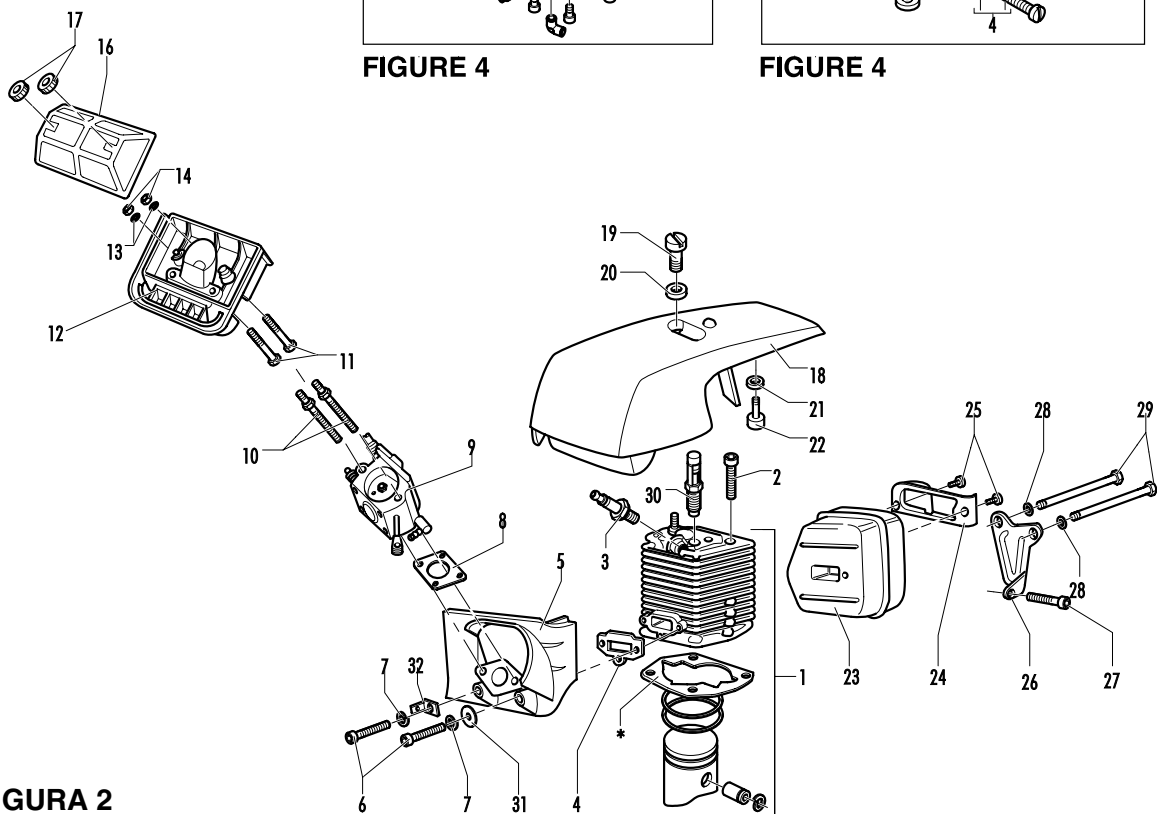


FIGURA 2

brand	MC CULLOCH-PARTNER -RANCHERO
-------	-------------------------------------

date	NOV/02	SHEET 4/6
------	--------	-----------

Model	Prefix
MAC 539E 14" - 16"- 18"	01
MAC 539E 14"+BAG - 542E 16"+BAG	01
MAC 542E 16" INTZ - 542E 18" INTZ	02
MAC 545E 18" INTZ	01
CALIFORNIA 42CC ASSY - 42CC+BAG	02
P542E 16" - P542E 16" + BAG	02
PL 546 18" 6307.290	01

Product number
953900361 - 953900362 - 953900406
953900401 - 953900402
953900363 - 953900364
953900225
953900367 - 953900403
953900376 - 953900377
953900273

FIGURA 2

	pos	P/N McC	P/N ELX	Qty	DESCRIPTION
C	1	FIGURA 3			
	2	227565	538227565	4	SCREW M5X25
A	3	92879	538092879	1	SPARK PLUG RDJ8J
B	4	240345	538240345	1	GASKET
	5	240271	538240271	1	CARB.SPACER (538E)
	5	240261	538240261	1	CARB.SPACER
	6	236997	538236997	2	M5X30 SCREW
	7	236529	538236529	2	SPLIT WASHER
A	8	227692	538227692	1	GASKET
C	9	FIGURA 4			
	10	240328	538240328	2	BAR BOLT
	11	240334	538240334	2	M4X40 SCREW
	12	240262	538240262	1	AIR FILTER BOX
	13	235248	538235248	2	WASHER M5
	14	235216	538235216	2	NUT M5
	15	241239	538241239	2	RUBBER CAP
B	16	240263	538240263	1	AIR FILTER
	17	240322	538240322	2	NUT
	18	242670	538242670	1	GOLD ENGINE COVER DM 40
	18	242660	538242660	1	GOLD ENGINE COVER PM46 II
	18	242161	538242161	1	RED ENGINE COVER PM46 II
	19	● 240320	538240320	1	SCREW
	20	● 240321	538240321	1	WASHER
	21	● 236936	538236936	1	WASHER
	22	● 240272	538240272	1	FAN BAFFLE
	23	240291	538240291	1	MUFFLER
	24	● 240297	538240297	1	PROMAC MUFFLER BAFFLE
	25	● 236981	538236981	2	T5 SCREW
	26	240299	538240299	1	SUPPORT MUFFLER
	27	236997	538236997	1	M5X30 SCREW
	28	227626	538227626	2	WASHER D-5
	29	227567	538227567	2	SCREW M5X70
	30	94273	538094273	1	VALVE COMPRELEASE
	31	235248	538235248	1	WASHER M5
	32	228139	538228139	1	CONTACT WIRE

FIGURA 3

	pos	P/N McC	P/N ELX	Qty	DESCRIPTION
			38 cc		
C	1	247253	538247253	1	38cc CYLINDER KIT
B	2	● 240343	538240343	1	GASKET
C	3	● 247256	538247256	1	38cc PISTON KIT
	4	●● 235008	538235008	2	RING SNAP INT.
B	5	●● 240005	538240005	2	PISTON RING (1PC)
			42 cc		
C	1	248806	538248806	1	CYL/PIST.KIT 42cc
B	2	● 242366	538242366	1	GASKET
C	3	● 248807	538248807	1	PISTON KIT 42cc
	4	●● 229544	538229544	2	RETAINING RING
B	5	●● 240085	538240085	1	42cc PISTON RING
			46 cc		
C	1	248500	538248500	1	CYL/PIST.KIT PM46 II
B	2	● 240343	538240343	1	GASKET
C	3	● 247258	538247258	1	46cc PISTON KIT
	4	●● 229544	538229544	2	RETAINING RING
B	5	●● 240353	538240353	1	46cc PISTON RING

FIGURA 4

WALBRO WT 414					
C	-	240350	538240350	1	CARBURATOR WT 414
B	1	● 247260	538247260	1	MAIN KIT CARB. K20 WAT
A	2	●● 229191	538229191	1	GASKET-DIAPH.W
	3	● 247261	538247261	1	PUMP COVER
	4	● 237481	538237481	1	IDLE SCREW KIT
	5	● 247388	538247388	1	HI SCREW CARB.WT 414
	6	● 246540	538246540	1	HIGH SPEED NEEDLE
	7	● 229601	538229601	2	NEEDLES SPRING
C	8	● 247387	538247387	1	98-3249 SPRING
ZAMA C1Q M39					
C	-	242062	538242062	1	CARB.ZAMA C1Q M39
B	1	● 226226	538226226	1	KIT REPAIR CARB.C1Q
A	2	●● 226227	538226227	1	KIT GASKET+DIAPH C1Q

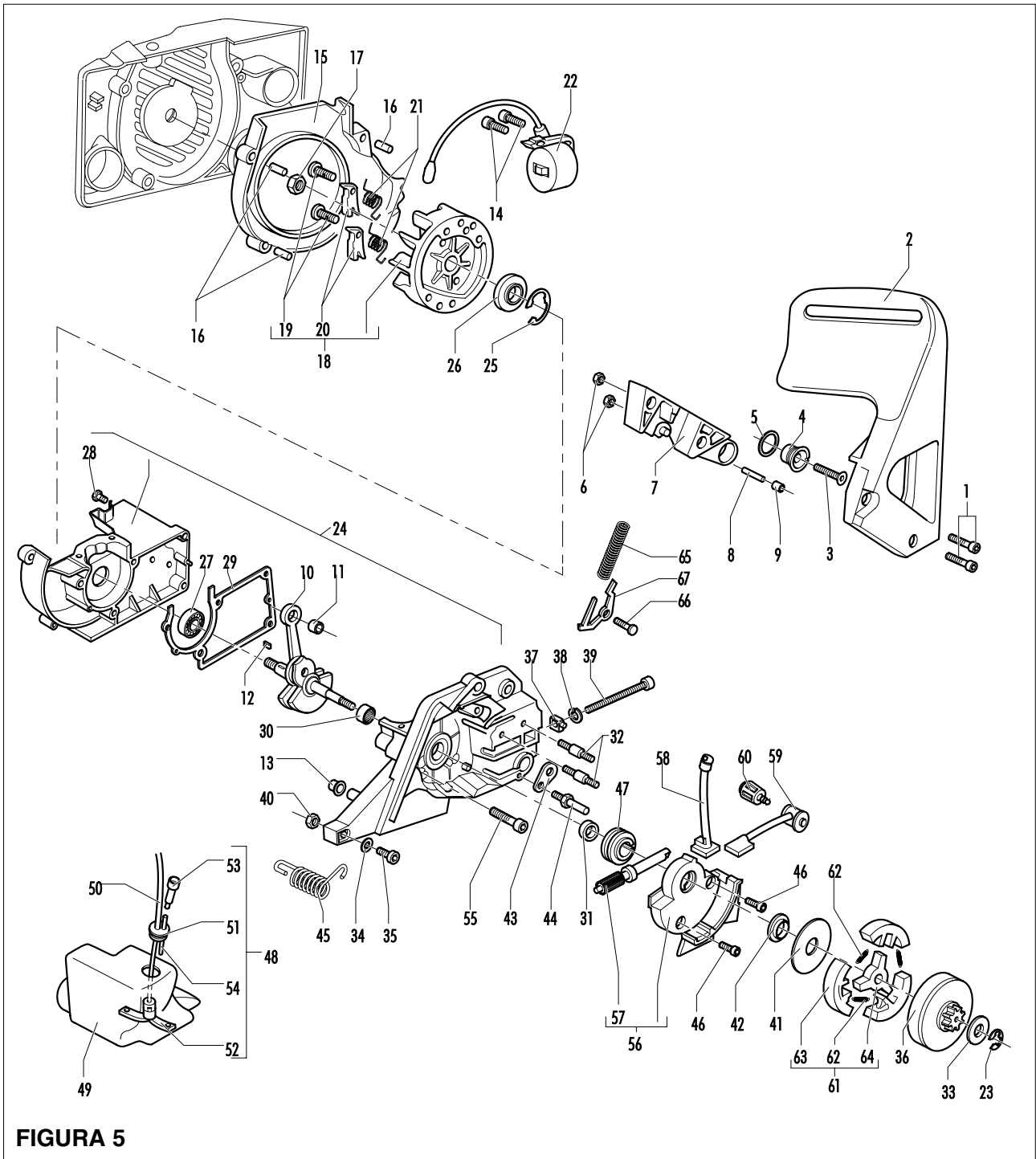
A= ALTA ROTAZIONE	A=HIGH MOVING	A=HAUTE DEMANDE	A=GROBE NACHFRAGE
B=MEDIA ROTAZIONE	B=MEDIUM MOVING	B=MOYENNE DEMANDE	B=MITTELMAEBIGE
C=BASSA ROTAZIONE	C=SLOW MOVING	C=BASSE DEMANDE	C=WENIGE NACHFRAGE

brand	MC CULLOCH-PARTNER -RANCHERO
-------	-------------------------------------

date	NOV/02	SHEET 5/6
------	--------	-----------

Model	Prefix
MAC 539E 14" - 16" - 18"	01
MAC 539E 14"+BAG - 542E 16"+BAG	01
MAC 542E 16" INTZ - 542E 18" INTZ	02
MAC 545E 18" INTZ	01
CALIFORNIA 42CC ASSY - 42CC+BAG	02
P542E 16" - P542E 16" + BAG	02
PL 546 18" 6307.290	01

Product number
953900361 - 953900362 - 953900406
953900401 - 953900402
953900363 - 953900364
953900225
953900367 - 953900403
953900376 - 953900377
953900273



brand	MC CULLOCH-PARTNER -RANCHERO
-------	-------------------------------------

date	NOV/02	SHEET 6/6
------	--------	-----------

Model	Prefix
MAC 539E 14" - 16" - 18"	01
MAC 539E 14"+BAG - 542E 16"+BAG	01
MAC 542E 16" INTZ - 542E 18" INTZ	02
MAC 545E 18" INTZ	01
CALIFORNIA 42CC ASSY - 42CC+BAG	02
P542E 16" - P542E 16" + BAG	02
PL 546 18" 6307.290	01

953900361 - 953900362 - 953900406
953900401 - 953900402
953900363 - 953900364
953900225
953900367 - 953900403
953900376 - 953900377
953900273

FIGURA 5

pos	P/N McC	P/N ELX	Qty	DESCRIPTION	pos	P/N McC	P/N ELX	Qty	DESCRIPTION
	235806	538235806	2	SCREW M5 X 20 TCE	B 36	240260	538240260	1	DRUM SPROCKET 3/8
C 2	241907	538241907	1	BRAKE LEVER	B 36	240266	538240266	1	DRUM SPROCKET 325
3	241905	538241905	1	SCREW M6X25	B 37	241908	538241908	1	NUT BAR ADJUSTEMENT
4	241904	538241904	1	SLEEVE	B 38	235367	538235367	1	BENZING 4MM
5	241906	538241906	1	PLAN WASHER D.10X15X1	B 39	241909	538241909	1	SCREW
6	235642	538235642	2	NUT M5	40	235642	538235642	1	NUT M5
7	241902	538241902	1	BRAKE HOUSING	41	241346	538241346	1	WASHER
8	242017	538242017	1	BAND PIVOT	42	242006	538242006	1	CLUTCH SPACER
9	241903	538241903	1	BRAKE NEEDLE	43	240309	538240309	1	PLATE OIL CAP
10	241871	538241871	1	CRANKSHAFT ASSY 38cc	C 44	240363	538240363	1	CHAIN BRAKE
10	241873	538241873	1	CRANKSHAFT ASSY	B 45	240286	538240286	1	SPRING
C 11 ●	235742	538235742	1	NEEDLE BEARING 0 9X14X12 MM	46	235802	538235802	2	SCREW M5 X 14 TCE
C 11	227329	538227329	1	BEARING NEEDLE	C 47	241882	538241882	1	OIL PUMP SCREW
12	227631	538227631	1	KEY	48	240920	538240920	1	FUEL TANK ASSY
13	235672	538235672	1	RUBBER SUPPORT TANK	49 ●	240300	538240300	1	FUEL TANK
14	235806	538235806	2	SCREW M5 X 20 TCE	B 50 ●	240868	538240868	1	HOSE FUEL
15	247290	538247290	1	AIR CONVEYOR PROMAC 36	C 51 ●	235675	538235675	1	FUELTANK GROMMET
16 ●	240358	538240358	3	SPACER	A 52 ●	240452	538240452	1	PICK UP FUEL
17	235218	538235218	1	NUT M8	C 53 ●	227582	538227582	1	VENT FILTER
18	241204	538241204	1	FLYWHEEL KEY=2 S7	54 ●	229716	538229716	1	BREATHER PIPE OIL TANK
B 19 ●	235516	538235516	2	STARTER PIN PAWL	55	236997	538236997	4	M5X30 SCREW
B 20 ●	235517	538235517	2	STARTER PAWL	B 56	241883	538241883	1	OIL PUMP ASSY
B 21 ●	235518	538235518	2	STARTER SPRING	C 57 ●	241885	538241885	1	OIL PUMP PISTON KIT (S5E)
C 22	241291	538241291	1	IGNITION COIL ASSY-S5	58 ●	241895	538241895	1	PIPE JOINT
23	229137	538229137	1	BENZING 8MM	59 ●	241896	538241896	1	TUBE OIL PUMP
24	248497	538248497	1	L CRANKCASE KIT	C 60	225063	538225063	1	BUMPER CUT CONTROL
25 ●	235899	538235899	1	SEEGER RING	61	242004	538242004	1	CLUTCH KIT
C 26 ●	241879	538241879	1	SEAL 15X32X4/5	B 62 ●	240926	538240926	3	SPRING
27 ●	235900	538235900	1	BALL BEARING 6002 15/32/9	63 ●	227359	538227359	3	SHOE-CLUTCH
28 ●	241077	538241077	1	SELF-THREAD. SCREW 4X14	64 ●	242005	538242005	1	ROTOR CLUTCH
29 ●	240312	538240312	1	GASKET	65	235076	538235076	1	BRAKE SPRING
30 ●	241253	538241253	1	NEEDLE BEARING 15X21X12	66 ●	235075	538235075	1	LATCH PIVOT
C 31 ●	228872	538228872	1	SEAL 13-32-5 (S7)	67 ●	94006	538094006	1	BRAKE LATCH
B 32 ●	241880	538241880	2	BAR BOLT					
33	235287	538235287	1	CLUTCH WASHER					
34	227259	538227259	1	WASHER					
35	235806	538235806	1	SCREW M5 X 20 TCE					

A= ALTA ROTAZIONE	A=HIGH MOVING	A=HAUTE DEMANDE	A=GROBE NACHFRAGE
B=MEDIA ROTAZIONE	B=MEDIUM MOVING	B=MOYENNE DEMANDE	B=MITTELMAEBIGE
C=BASSA ROTAZIONE	C=SLOW MOVING	C=BASSE DEMANDE	C=WENIGE NACHFRAGE